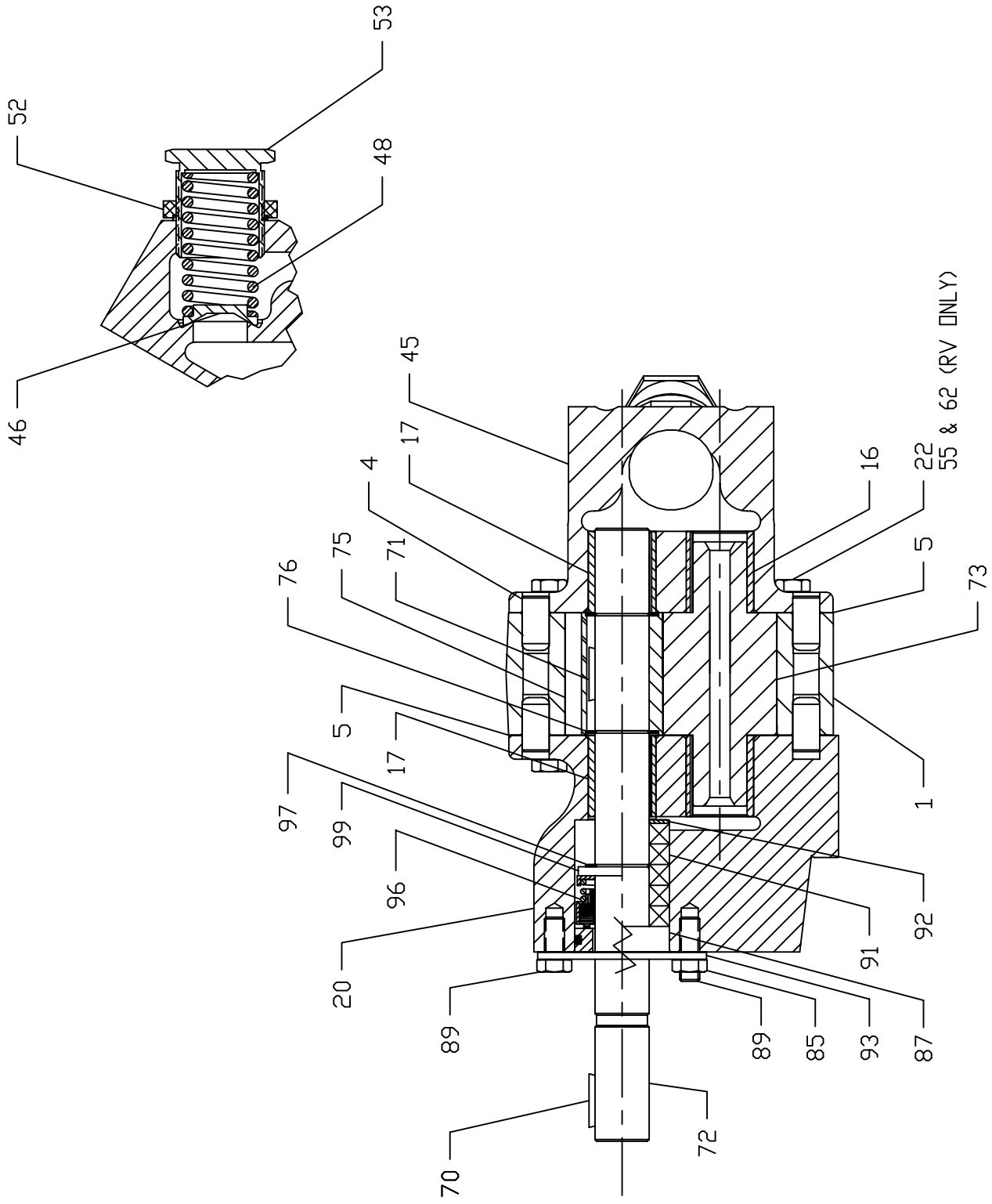


120 inch Fore Pump
and Worm Oil Pump
Type 1 2AM08



1 & 2 AM, AP 06-16

1, 2 AM, AP 06-16

KEY NO.	DESCRIPTION	A06		A08		A12		A16	
		QTY	PART NO.	QTY	PART NO.	QTY	PART NO.	QTY	PART NO.
1	Case	1	P1-735	1	P1-242	1	P1-552	1	P1-553
4	Dowel Pin	4	G48-192	4	G48-192	4	G48-192	4	G48-192
5	Case Gasket	2	D11-257	2	D11-257	2	D11-257	2	D11-257
20	Backplate Assy, Brz Brgs	1	N2-799	1	N2-799	1	N2-799	1	N2-799
22	Hex Hd Cap Screw, Plain	8	G49-037200	8	G49-037225	8	G49-037275	8	G49-037325
	Hex Hd Cap Screw, RV	4	G49-037200	4	G49-037225	4	G49-037275	4	G49-037325
45	Faceplate Assy, Plain, Brz Brgs	1	N3-341	1	N3-341	1	N3-341	1	N3-341
	Faceplate Assy, RV, Brz Brgs	1	N3-340	1	N3-340	1	N3-340	1	N3-340
46	Poppet	1	D16-114	1	D16-114	1	D16-114	1	D16-114
48	Spring, Std Press	1	G10-399	1	G10-399	1	G10-399	1	G10-399
	Spring, High Press	1	G10-400	1	G10-400	1	G10-400	1	G10-400
52	Nut, Lock & Seal	1	G33-32	1	G33-32	1	G33-32	1	G33-32
53	Adjusting Screw	1	D15-44	1	D15-44	1	D15-44	1	D15-44
55	Hex Hd Cap Screw, RV	2	G49-037300	2	G49-037325	2	G49-037375	2	G49-037450
62	Hex Hd Cap Screw, RV	2	G49-037425	2	G49-037450	2	G49-037500	2	G49-037575
70	Key, Drive	1	D30-32	1	D30-32	1	D30-32	1	D30-32
71	Key, Gear	1	D30-187	1	D30-187	1	D30-187	1	D30-187
72	Drive Shaft	1	D1-2137	1	D1-1758	1	D1-1759	1	D1-1760
73	Idler Shaft & Gear	1	D2-2009	1	D2-2010	1	D2-2011	1	D2-2012
75	Gear, RH	1	D6-1149	1	D6-1150	1	D6-1151	1	D6-1152
76	Ret Ring	2	G41-148	2	G41-148	2	G41-148	2	G41-148
85	Nut, Pkg	2	G44-037	2	G44-037	2	G44-037	2	G44-037
87	Pkg Gland, Pkg	1	D5-453	1	D5-453	1	D5-453	1	D5-453
89	Stud, Pkg	2	G2-110	2	G2-110	2	G2-110	2	G2-110
	Hex Hd Cap Screw, Mech Seal	2	G49-037050	2	G49-037050	2	G49-037050	2	G49-037050
91	Pkg Rings, Pkg	5	G14-63	5	G14-63	5	G14-63	5	G14-63
92	Pkg Washer, Pkg	1	G8-250	1	G8-250	1	G8-250	1	G8-250
93	Seal Retainer	1	D8-383	1	D8-383	1	D8-383	1	D8-383
96	Mech Seal, Complete	1	G4-397	1	G4-397	1	G4-397	1	G4-397
97	Ret Ring	1	G41-43	1	G41-43	1	G41-43	1	G41-43
99	Seal Locator Ring, Mech Seal	1	D8-468	1	D8-468	1	D8-468	1	D8-468

Backplate Assy includes Brz Brgs: (2) G5-139

Faceplate Assy includes Brz Brgs: (2) G5-139